



INSTALLATION INSTRUCTIONS

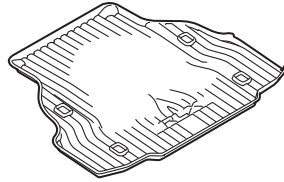
Accessory
TRUNK TRAY
P/N 08U45-TY2-200

Application
2016 RLX

Publications No.
VERSION 1
Issue Date
JAN 2015

PART LIST

Trunk tray

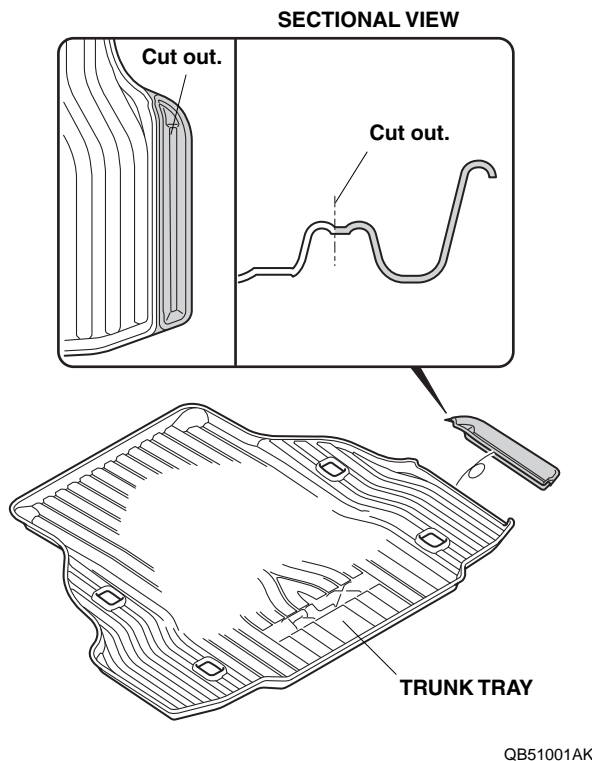


TOOLS AND SUPPLIES REQUIRED

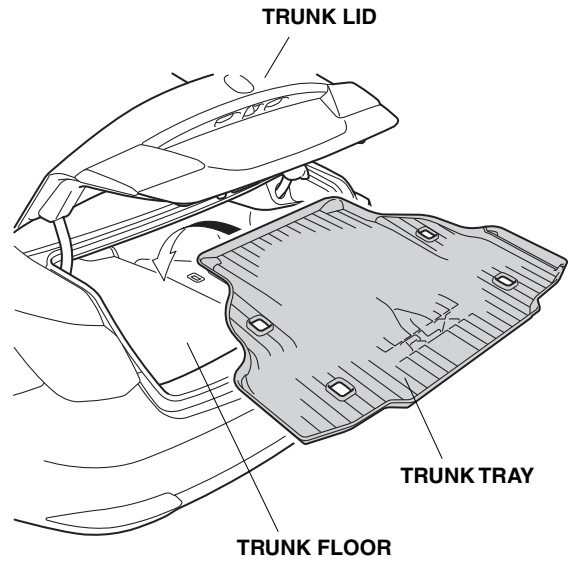
Utility knife

INSTALLATION

1. **For Premium Audio (KRELL) Equipped Models:** Use a utility knife to cut out the trunk tray in the area shown.



2. Open the trunk lid. Place the trunk tray on the trunk floor.



QB51002AK